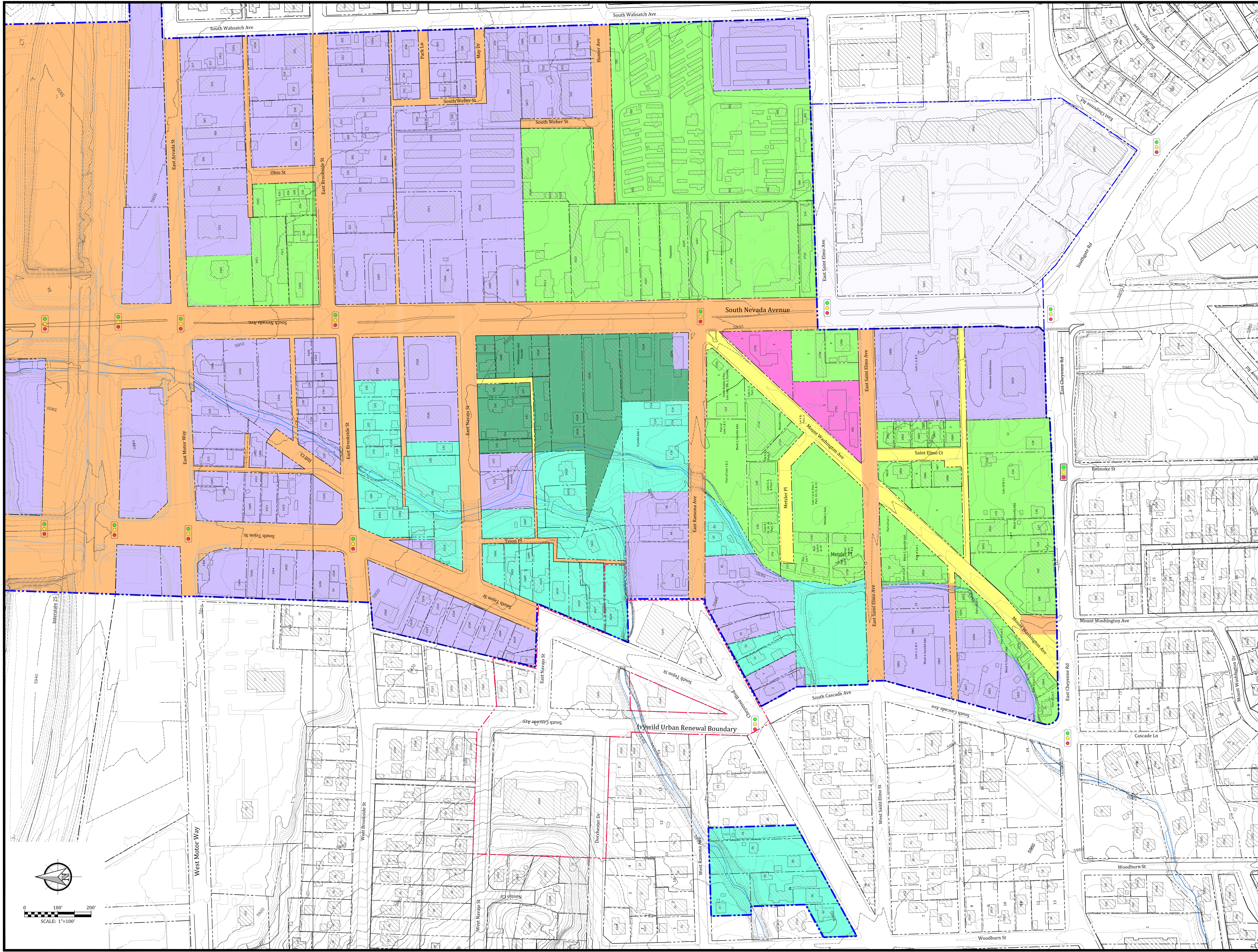


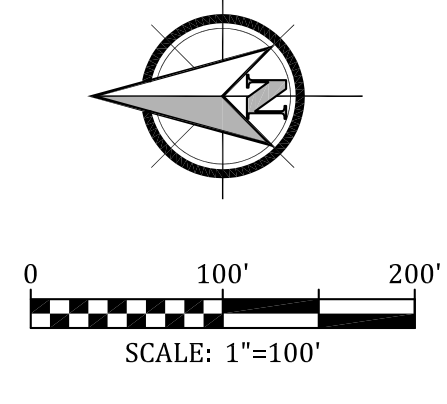
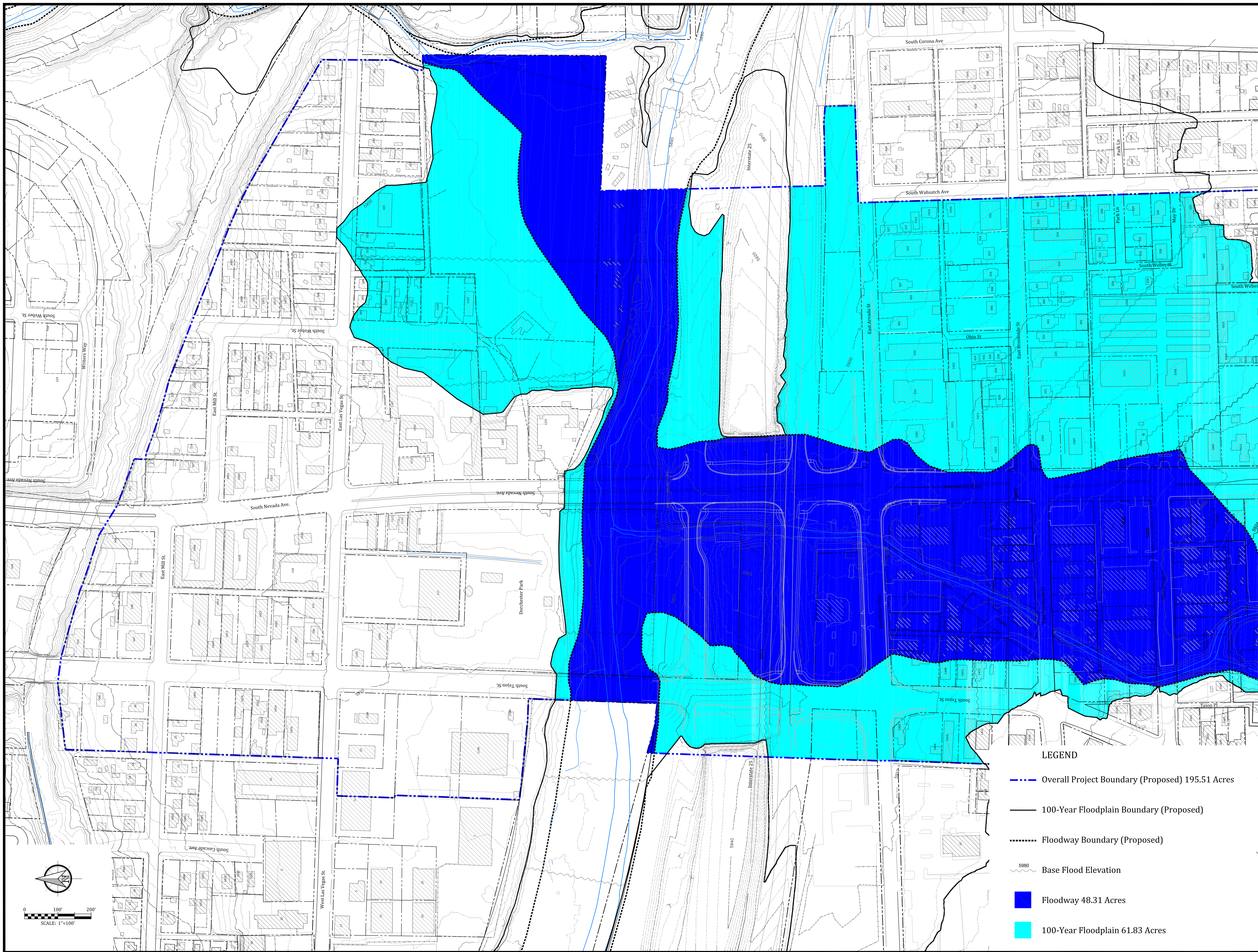
LEGEND

- - - Overall Project Boundary (Proposed) 195.51 Acres
- - - Variable Property Boundary 12.63 Acres
- Property to be acquired for re-development by The Equity Group LLC (Proposed) 26.38 Acres
- Property to be acquired for re-development by On The Ivy (Proposed) 12.07 Acres
- Property to be acquired for re-development by Harder-Diesslin (Proposed) 4.41 Acres
- Existing Property to Remain or Developed by Others 96.91 Acres
- Variable Property (to Remain or Redeveloped by Others) 12.63 Acres
- Existing Property to be Adjusted 1.22 Acres
- Existing Right-of-Way to be Vacated 2.69 Acres
- Existing Right-of-Way to Remain 51.83 Acres
- Existing Traffic Light ● Proposed Traffic Light

Project No.:	15004
Date:	June 14, 2015
Design:	AWMc
Drawn:	CAD
Check:	RNW
Revisions:	



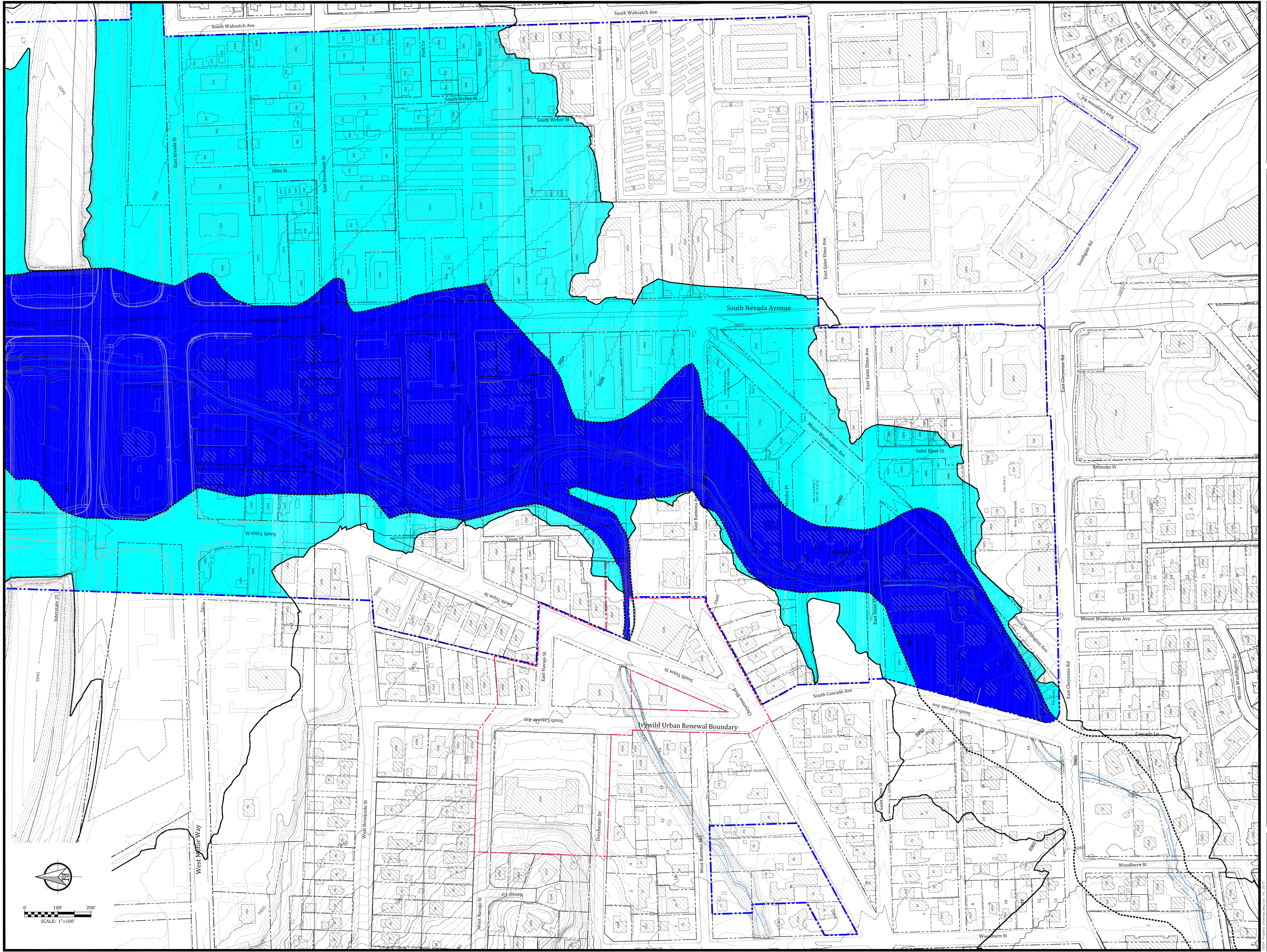
South Nevada Avenue/Tejon Street Urban Renewal Boundary Map
 Existing Overall Property Information
 Colorado Springs, Colorado



- LEGEND**
- - - - Overall Project Boundary (Proposed) 195.51 Acres
 - 100-Year Floodplain Boundary (Proposed)
 - · - · - · Floodway Boundary (Proposed)
 - ~ 5980 Base Flood Elevation
 - Floodway 48.31 Acres
 - 100-Year Floodplain 61.83 Acres

South Nevada Avenue/Tejon Street Urban Renewal Boundary Map
Floodplain and Floodway Information
Colorado Springs, Colorado

Project No.:	15004
Date:	June 14, 2015
Design:	AWMc
Drawn:	CAD
Check:	RNW
Revisions:	



South Nevada Avenue/Tejon Street Urban Renewal Boundary Map
 Floodplain and Floodway Information
 Colorado Springs, Colorado

Project No.:	15004
Date:	June 14, 2015
Design:	AWMc
Drawn:	CAD
Check:	RNW
Revisions:	